



Series 6700 : Industrial Dispensers

For Automobile Assembly lines



Specifications

Dispensing Flow	: ± 0.01 Ltr per batch Cp/Cpk ≥ 1.66
Dispensing Accuracy	: ± 1.0% of reading
Batch Selector Keys	: 0.01Ltr-999.99Ltr User Selectable
Liquid Input	: From barrels/Overhead Tanks/Built in Storage Tank
Built in Tanks	: 250 L/400 L/600 L/900 L Capacity
Control System	: a) PLC : Omron/Mitsubishi/Messung/Siemens make b) MMI : Omron/Biejer/Messung/Siemens make
Data Storage	: 10 year shut down condition
Batch Quantity Selector	: a) Manual selection b) Selection thro Barcode Reader
Dispensing Gun	: Pneumatically operated high capacity zero drip
Power Supply	: 3 Phase 415V±10% 50Hz

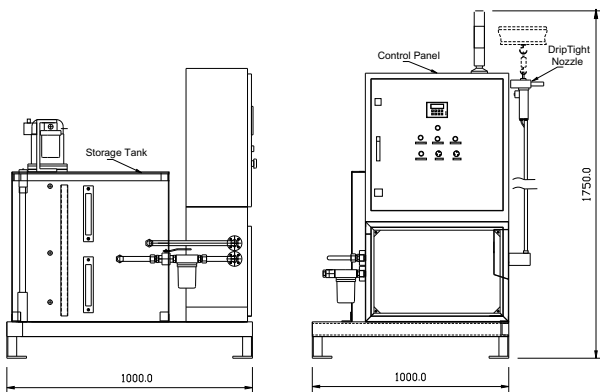
Introduction

Fluidyne Industrial Dispensers provide fast and highly accurate measure of filling a variety of lube oils, transmission fluids & coolant on final assembly line of cars, heavy vehicles & two wheelers. Split second adaptability for multiple vehicle model on a single filling station with PLC control system coupled with a process capability Cp/Cpk ≥ 1.66 provides an ideal solution to the needs of modern automotive assembly lines.

Features

- Programmable multiple batches to suit a variety of vehicle models.
- Accuracy guaranteed to ± 0.01 ltr per batch filling.
- Cp/Cpk ≥ 1.66 for filling all types of liquids.
- Built in double filtration of 150 micron.
- Zero drip high capacity filling gun with customized spout.
- Finger tip Start / Emr. stop function on the filling gun.
- Built in air separator for barrel transfer application.
- Evacuate and fill type system for clutch, brake, power steering and radiator filling.

Dimensions



Used Oil Collection & Filtration System



Dripless Nozzle



Multi Oil Dispenser



Petrol Dispenser with 40L Storage Tank